



GiANT[®]
BY TOBROCO

G1500 SERIES

SPECIFICATIONS



MODEL	G1500	G1500 X-Tra
ENGINE	26 hp	26 hp
SERVICE WEIGHT	3,263 lbs	3,362 lbs
LIFTING HEIGHT	100.7 in.	81.4 in.
TIPPING LOAD	2,293 lbs	3,307 lbs
WORKING HYDRAULICS	11.1 GPM	11.1 GPM
MAX. SPEED	7.5/11.8(opt) mph	7.5/11.8(opt) mph



Less tire wear and ground damage



Enhanced operator comfort through articulation and oscillation



Universal plate



Higher lift heights and higher tipping loads compared to service weight



Higher travel speeds

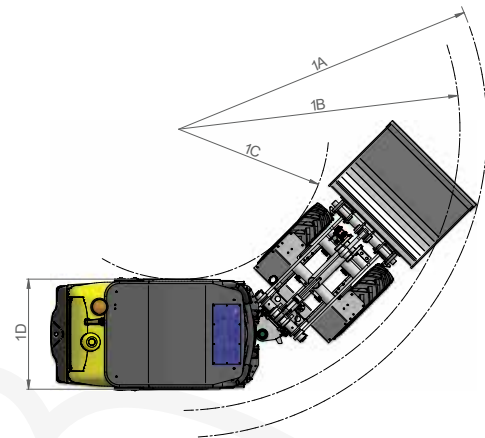


The G1500 offers a workhorse attitude with versatility to match. Powered with a Kubota 3-cylinder engine that doesn't require aftertreatment systems for a reliable low cost machine to own and operate. The G1500 offers two different booms; the X-Tra for additional lifting capacity, and the standard which offers higher lifting / dumping height. This machine offers the versatility to operate attachments with either a MT or universal mini-skid plate. The G1500 offers open ROPS, foldable ROPS or a cab option. Couple a heated cab, road lights and variety of tire options, this becomes a very compact snow removal machine. With an open ROPS it boasts versatility in landscape, nursery, construction and tree service industries.

GiANT Loaders North America reserves the right to make changes in specification at any time without notice or obligation.

DIMENSIONS

	G1500	G1500 X-Tra
A	53.9 in.	55.9 in.
B	105.1 in.	107.0 in.
C	132.3 in.	133.4 in.
D	24.5 in.	24.5 in.
E	2.9 in.	2.9 in.
F	29.0 in.	29.0 in.
G	44.7 in.	44.7 in.
H	87.8 in.	87.8 in.
I	87.8 in.	87.8 in.
J	61.0 in.	45.2 in.
K	71.9 in.	53.5 in.
L	100.7 in.	81.4 in.
M	123.5 in.	104.0 in.
N	41°	44°
O	52°	55°
P	44°	41°
Q	27°	27°
R	Ø 26.4 in.	Ø 26.4 in.
1A	88.9 in.	97.2 in.
1B	74.8 in.	89.1 in.
1C	40.9 in.	45.8 in.
1D	35.0 in.	43.3 in.



TIPPING LOADS

	G1500	G1500 X-Tra
S	2,293 lbs	3,307 lbs
T	1,761 lbs	2,425 lbs
U	1,279 lbs	1,653 lbs
V	948 lbs	1,213 lbs
W	3,034 lbs	3,307 lbs
X	1,836 lbs	1,984 lbs
Y	1,316 lbs	1,433 lbs

GIANT Loaders North America reserves the right to make changes in specification at any time without notice or obligation.

725 Ida Street, Cedar Falls IA 50613, USA P: +1.319.449.3677 Fax: +1.319.449.3738