



GiANT[®]
BY TOBROCO

G1200 SERIES

SPECIFICATIONS



MODEL	G1200	G1200 TELE
ENGINE	25 hp	25 hp
SERVICE WEIGHT	2,420 lbs	2,420 lbs
LIFTING HEIGHT	85.4 in.	111 in.
TIPPING LOAD	2,400 lbs	1,980 lbs
WORKING HYDRAULICS	7.4 GPM	7.4 GPM
MAX. SPEED	9.5 mph	9.5 mph



Less tire wear and ground damage



Enhanced operator comfort through articulation and oscillation



Universal plate



Safe and ergonomic operator station with side entry



Higher travel speeds

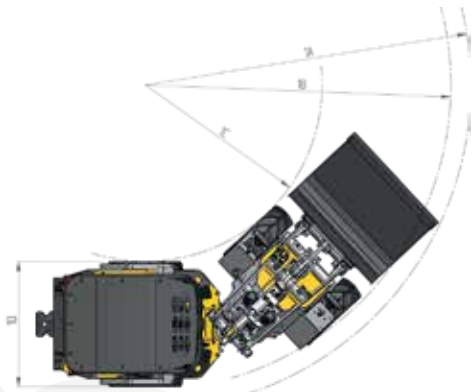


The GiANT G1200 compact wheel loaders design is the standard the industry attempts to emulate. Starting with all steel construction and powered with a 25hp Kubota 3-cylinder diesel engine that doesn't require aftertreatment systems for a reliable low cost machine to own and operate. This power is transferred to four heavy-duty Poclain wheel motors with four-wheel traction control for maximum grip, torque and pulling force. Several tire options offer a variety of footprints, allowing access to small spaces. The G1200's oscillation joint, offers two distinct advantages over industry competitors; enhanced ground contact and greatly reduced turf damage on sensitive terrain. With an operating weight of 2,420 lbs. and a tipping load that is nearly the same. The G1200 and G1200 Telescoping models offer superior performance with the ability to transport very easily from one job site to the next.

GiANT Loaders North America reserves the right to make changes in specification at any time without notice or obligation.

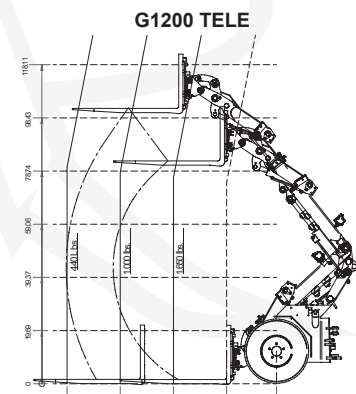
DIMENSIONS

	G1200	G1200 TELE
A	48.4 in.	49.1 in.
B	87 in.	89.2 in.
C	114.6 in.	115.2 in.
D	-	-
E	-	-
F	-	-
G	55.4 in.	55.4 in.
H	85.4 in.	85.4 in.
I	-	-
J	54.3 in.	51.6 in.
K	55.4 in.	81.1 in.
L	85.4 in.	107.9 in.
M	117.2 in.	129.9 in.
N	43°	43°
O	45°	50°
P	46°	40°
Q	34°	34°
R	Ø22.4 in.	Ø22.4 in.
1A	87.6 in.	87.6 in.
1B	77.4 in.	77.4 in.
1C	38.5 in.	38.5 in.
1D	36.2 in.	36.2 in.



TIPPING LOADS

	G1200
S	2,400 lbs
T	1,764 lbs
U	1,213 lbs
V	904 lbs
W	3,726 lbs
X	1,852 lbs
Y	1,124 lbs



GIANT Loaders North America reserves the right to make changes in specification at any time without notice or obligation.

725 Ida Street, Cedar Falls IA 50613, USA P: +1.319.449.3677 Fax: +1.319.449.3738